

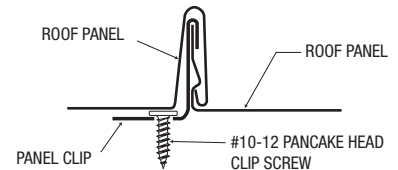
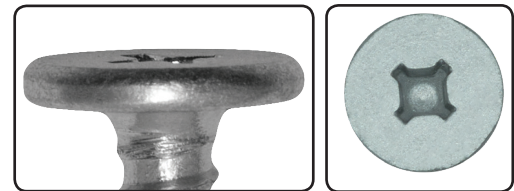
## FEATURES AND BENEFITS

- A self-drilling Pancake Head is available to attach standing seam roof clips to steel framing.
- Low profile head design provides excellent pull over strength.
- Ruspert® corrosion resistant coating is standard on all Clip Screws.

## ST® Clip Screw Metal to Metal

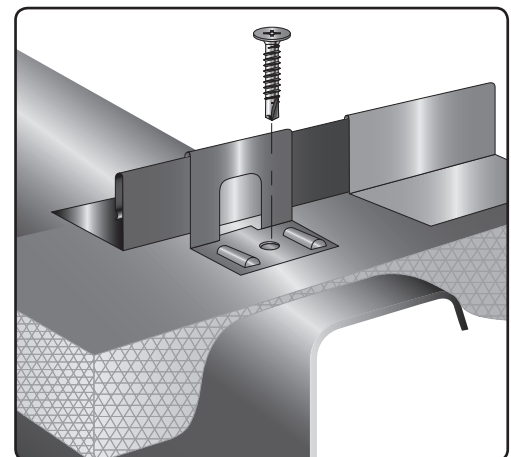


**POINT DIAMETER**  
.151/.156  
**MAJOR DIAMETER**  
.189/.183  
**MINOR DIAMETER**  
.135/.141  
**HEAD DIAMETER**  
.443/.423  
**ULT. TENSILE STRENGTH**  
1920 LBS.  
**MIN. TORSIONAL STRENGTH**  
61 IN-LBS.  
**NOM. SHEAR STRENGTH**  
1633 LBS.



TYPICAL CLIP APPLICATION

## APPLICATIONS



SIZE	HEAD STYLE	CARTON QTY.	WEIGHT/M
10 x 1" SD CARBON STL.	#2 SQUARE/PHILLIPS COMBO	3000	7.0
10 x 1-1/2" SD CARBON STL.	#2 SQUARE/PHILLIPS COMBO	2500	9.0

PULL OUT STRENGTH LBS. ULT.		
SUBSTRATE	GAUGE	VALUE
HRS Primed Only	16	830
HRS Primed Only	14	1006
HRS Primed Only	12	1495
G-90 GALVANIZED	18	731

PULL OVER STRENGTH LBS. ULT.			
SUBSTRATE	GAUGE	THICKNESS	VALUE
AZ55 Galvalume	29	.015	529
AZ55 Galvalume	26	.019	779
AZ55 Galvalume	24	.024	1128
AZ55 Galvalume	22	.032	1512