

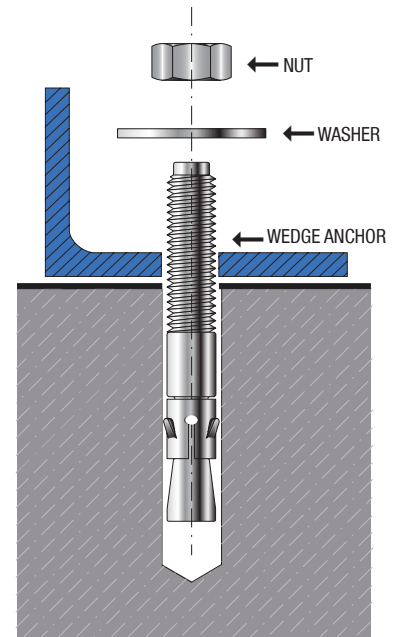
ST WedgeAnchor

FEATURES AND BENEFITS

- Wedge anchor is carbon steel with zinc plating.
- Applications include attaching base angle to concrete as well as other equipment subject to vibration or extreme movement.
- The hole diameter drilled with a carbide masonry bit is equal to the diameter of the anchor installed
- Expansion cone provides full 360 degree contact with the concrete, allowing maximum pull out strength.

SIZE	CASE QTY.	CARTON QTY.	WEIGHT/M
3/8 x 3"	50	200	10.8
3/8 x 3-3/4"	50	200	12.5
1/2 x 2-3/4"	25	100	19.0
1/2 x 3-3/4"	25	100	24.4
1/2 x 4-1/4"	25	100	26.0
5/8 x 4-1/2"	10	40	22.5
5/8 x 6"	10	40	59.0
3/4 x 5-1/2"	10	40	81.0
3/4 x 7"	10	40	99.0
3/4 x 10"	10	20	140.0

MAXIMUM TENSILE CAPACITY FOR STATIC LOADS						
ANCHOR AND HOLE SIZE (INCHES)	400 PSI CONCRETE			600 PSI CONCRETE		
	EMBED-MENT DEPTH (IN)	TENSION (LBS)	SHEAR (LBS)	EMBED-MENT DEPTH (IN)	TENSION (LBS)	SHEAR (LBS)
1/4"	1-1/4"	2000	2811	1-1/4"	2042	2811
	2-1/2"	2600	2811	2-1/2"	2826	2811
3/8"	1-3/4"	3850	3075	1-3/4"	4790	3075
	5-5/8"	6020	4227	5-5/8"	6635	4227
1/2"	2-1/8"	6324	6260	2-1/8"	7540	6260
	6-1/4"	8249	7516	6-1/4"	10713	7516
5/8"	2-5/8"	9527	9760	2-5/8"	10597	9760
	6"	15893	11743	6"	16705	11743
3/4"	3-3/4"	13130	15860	3-3/4"	18979	15860
	7-7/8"	19795	23817	7-7/8"	24145	23817
7/8"	4"	18591	24000	4"	19945	24000
	8"	27484	25710	8"	33113	25710
1"	5"	26676	32494	5"	30683	32494
	9"	36171	36896	9"	36171	36896
1-1/4"	5-5/8"	28733	46976	5-5/8"	28733	46975
	10"	50390	46975	10"	50390	46975



NOTES: 1. An appropriate factor of safety must be applied to the above ultimate values to determine the allowable loads for design purposes.